

Specifications

Model Numbers

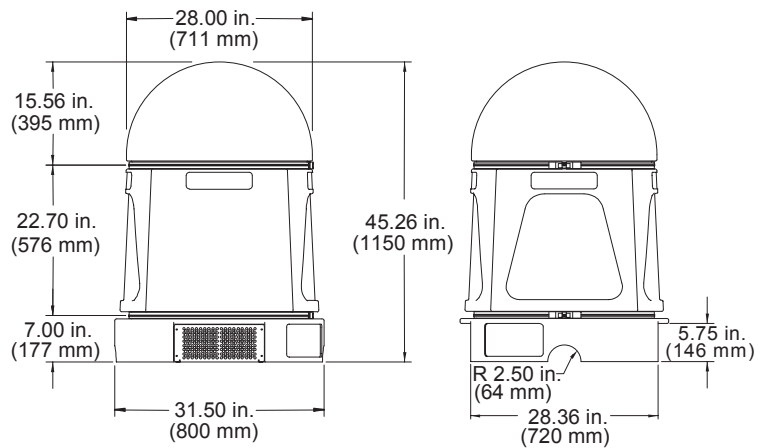
Model: Universal Ecodome
Manufacturer: Lightwave Research
Distributor: High End Systems, Inc.
2217 W. Braker Lane
Austin, Texas, 78758 USA

Dimensions

Height: 45 in. (115 cm)
Width: 32 in. (80 cm)
Depth: 32 in. (80 cm)

Weight

Dome: 7 lbs (3 kg)
Housing: 15 lbs (7 kg)
Base: 45 lbs (20 kg)



Assembled (no fixture installed): 67 lbs (30 kg)

Electrical Specifications

Universal Ecodome 115: 115V, 50/60 Hz, 930W maximum

Universal Ecodome 208-230: 208-230V, 50/60 Hz, 930W maximum

Refer to the fixture's user manual for the rated power and voltage of the fixture you plan to install inside Ecodome.



Warning: Class I equipment - For continued protection against electric shock, connect this equipment to a power source that is protected by a Ground Fault Circuit Interrupt (GFCI).

Environmental Specifications

- Ingress Protection: IP 45
- Suitable for outdoor use

DMX Data Cabling

DMX data cables: Belden[®] 9841 or equivalent (meets specifications for EIA RS-485 applications) with characteristics listed below:

- 2-conductor twisted pair plus a shield
- maximum capacitance between conductors - 30 pF/ft.
- maximum capacitance between conductor and shield - 55 pF/ft.
- maximum resistance of 20 Ω /1000 ft.
- nominal impedance 100–140 Ω
- 22–24 AWG with insulation having a dielectric rating of 300 volts or higher

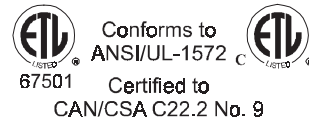
DMX data connectors: 3-pin male and female XLR connectors

DMX data terminators: male XLR connector with 120 ohm terminator

Test Standards

Ecodome conforms to the following standards:

- UL 1572
- EN 60598-1
- CSA 22.2 No. 9
- EMC standards:
 - EN 55022, Class A ITE
 - IEC 801-2, Level 3 (6/8kV)
 - IEC 801-3, Level 2 (3 V/m)
 - IEC 801-4, Level 2 (1kV/.5kV)
 - ENV 50204, 1996 Level 2 (3 V/m)



Safety

- Maximum ambient temperature (T_a): 40° C (104° F).
- Maximum exterior surface temperature: 62° C (144° F).
- Suitable for mounting on normally flammable surfaces.
- Not for residential use.

